

S6161-LR-FSE-010

0910-LP-527-3200

OPERATION AND SERVICE MANUAL
FOR
SHIPBOARD ELECTRIC DROP-IN GRIDDLE

**MODEL NUMBERS:
136TDI-VG, 148TDI-VG, 172TDI-VG,**

LANG MANUFACTURING
DIVISION OF STAR MANUFACTURING INTERNATIONAL
10 SUNNEN DRIVE
ST. LOUIS, MO, 63143

DISTRIBUTION STATEMENT

THIS PUBLICATION IS REQUIRED FOR OFFICIAL USE OR FOR ADMINISTRATIVE OR OPERATIONAL PURPOSES. DISTRIBUTION IS LIMITED TO U.S. GOVERNMENT AGENCIES ONLY. OTHER REQUESTS FOR THIS DOCUMENT MUST BE REFERRED TO COMMANDER, NAVAL SEA SYSTEMS COMMAND, SEA 09, WASHINGTON, DC 20362

SUPERCEDEURE NOTICE

CANCELS AND SUPERCEDES S6161-LR-FSE-010
DATED MARCH 2002
AND ALL CHANGES THERETO

Lang Manufacturing
Part No. 2M-W357
Rev. -

10 Sunnen Drive,
Phone: 314-678-6315, Fax: 314-781-2714
www.langworld.com

St. Louis, MO 63143
April, 24, 2007

MANUAL SUPPLEMENT FOR MARINE EQUIPMENT

THIS EQUIPMENT IS APPROVED FOR INSTALLATION ONLY ON VESSELS GREATER THAN 65 FEET IN LENGTH IN ACCORDANCE WITH USCG REGULATIONS IN TITLE 46 CFR 110-113.

ANY WIRING USED IN THE INSTALLATION OF THIS APPLIANCE MUST BE STRANDED COPPER.

IDENTIFYING TECHNICAL PUBLICATION SHEET

1. IDENTIFICATION DATA:
2. PURPOSE: THIS TECHNICAL PUBLICATION IS ISSUED FOR THE PURPOSE OF IDENTIFYING AN AUTHORIZED TECHNICAL MANUAL FOR NAVY USE AND FOR PROVIDING SUPPLEMENTAL TECHNICAL INFORMATION.
 - A. MANUFACTURER: STAR MFG. INTERNATIONAL.
 - B. CONTRACT NUMBER: _____
 - C. EQUIPMENT: GRIDDLE, SELF HEATING, ELECTRIC
 - D. REQUISITION NUMBER: NOT REFERENCED
 - E. NATIONAL STOCK NUMBER (NSN): _____
 - F. TITLE: MAINTENANCE MANUAL FOR GRIDDLE, SELF HEATING, ELECTRIC
 - G. DATE OF PUBLICATION: APRIL 2007
 - H. PREPARING ACTIVITY: DEFENSE GENERAL SUPPLY CENTER
 - I. APPLICABLE TMCR NUMBER: 860172
 - J. EXTENT OF PROPOSED SUPPLEMENTAL DATA (10% MAXIMUM): 1%
 - K. LIST OF TECHNICAL MANUAL FOR THIS EQUIPMENT PROCURED UNDER ANOTHER CONTACT:
3. ADDITIONAL COPIES: ADDITIONAL COPIES ARE AVAILABLE FROM:

NAVAL PUBLICATION AND FORMS CENTER
5801 TABOR AVENUE
PHILADELPHIA, PA 19120-5099

4. COVER: THE TECHNICAL MANUAL OUTSIDE COVER SHALL CONTAIN THE FOLLOWING STATEMENTS:

PUBLISHED BY DIRECTION OF COMMANDER, NAVAL SEA SYSTEMS
COMMAND

S6161-LR-FSE-010
0910-LP-527-3200

APPROVAL AND PROCUREMENT RECORD

APPROVAL DATA FOR: GRIDDLE, SELF-HEATING, ELECTRIC

TITLE OF MANUAL: MAINTENANCE MANUAL FOR: GRIDDLE,
SELF-HEATING, ELECTRIC

APPROVAL AUTHORITY: NAVAL SHIP SYSTEMS ENGINEERING STATION

CONTRACT NUMBER	NSN	# OF UNITS	APL/CID
DLA441-92-M-2844	7310-01-359-2844	6	LG72MDI
DLA441-92-M-Y175	7310-01-359-2845	13	LG36MDI
DLA400-86-D-0090	7310-01-104-1214	14	LG48M

REMARKS:

DATE: MARCH 2002

CERTIFICATION:

IT IS HEREBY CERTIFIED THAT THE TECHNICAL MANUAL PROVIDED UNDER CONTRACT NUMBER DLA441-92-M-2844, DLA441-92-M-Y175, DLA400-86-D-0090 FOR LANG LG72MDI, LG36MDI, AND LG48M HAS BEEN APPROVED BY THE APPROVAL DATA SHOWN ABOVE:



DIRECTOR, GOV'T CONTRACTS

LANG MANUFACTURING COMPANY

FSCM / CAGE #: 34931

CHANGE RECORD

Change no.	Date	Title and/or Brief Description	Signature of Validating Officer

TABLE OF CONTENTS

CHAPTER	PAGE
1. TABLE OF CONTENTS	6
2. LIST OF ILLUSTRATIONS.....	7
3. READ FIRST	8
4. SPECIFICATIONS	11
5. EQUIPMENT DESCRIPTION	14
6. INSTALLATION	16
7. OPERATION.....	18
8. MAINTENANCE & TROUBLESHOOTING PROCEDURES	19
9. PARTS LIST	24
10. WIRING DIAGRAMS	26
11. WARRANTY	28

LIST OF ILLUSTRATIONS

FIGURE #	TITLE OF ILLUSTRATION	PAGE #
1	Specification Sheets	11 to 20
2	MDI-36 Cut Out	21
3	MDI-48 Cut Out	22
4	MDI-72 Cut Out	23
5	Leg Pad Layout	27
6	Sensor Location (Calibration)	31
7	Wiring Diagram 208/240V	34
8	Wiring Diagram 480V	35

CAUTION: THE GRIDDLE IS EXTREMELY HEAVY. FOR SAFE HANDLING, INSTALLER SHOULD OBTAIN HELP AS NEEDED, OR EMPLOY APPROPRIATE MATERIALS HANDLING EQUIPMENT (SUCH AS A FORKLIFT, DOLLY, OR PALLET JACK) TO REMOVE THE UNIT FROM THE SKID AND MOVE IT TO THE PLACE OF INSTALLATION.



CAUTION: ANY STAND, COUNTER OR OTHER DEVICE ON WHICH GRIDDLE WILL BE LOCATED MUST BE DESIGNED TO SUPPORT THE WEIGHT OF THE GRIDDLE(S).



CAUTION: SHIPPING STRAPS ARE UNDER TENSION AND CAN SNAP BACK WHEN CUT.



DANGER: THIS APPLIANCE MUST BE GROUNDED AT THE TERMINAL PROVIDED. FAILURE TO GROUND THE APPLIANCE COULD RESULT IN ELECTROCUTION AND DEATH.



WARNING: INSTALLATION OF THE UNIT MUST BE DONE BY PERSONNEL QUALIFIED TO WORK WITH ELECTRICITY. IMPROPER INSTALLATION CAN CAUSE INJURY TO PERSONNEL AND/OR DAMAGE TO EQUIPMENT. UNIT MUST BE INSTALLED IN ACCORDANCE WITH ALL APPLICABLE CODES.



NOTICE: The data plate is located next to the grease drawer, behind access panel. The griddle voltage, wattage, serial number, wire size, and clearance specifications are on the data plate. This information should be carefully read and understood before proceeding with the installation.



NOTICE: The installation of any components such as a vent hood, grease extractors, fire extinguisher systems, must conform to their applicable National, State and locally recognized installation standards.



NOTICE: During the first few hours of operation you may notice a small amount of smoke coming off the griddle surface, and a faint odor from the smoke. This is normal for a new griddle and will disappear after the first few hours of use.



CAUTION: ALWAYS KEEP THE AREA NEAR THE APPLIANCE FREE FROM COMBUSTIBLE MATERIALS.



CAUTION: KEEP FLOOR IN FRONT OF EQUIPMENT CLEAN AND DRY. IF SPILLS OCCUR, CLEAN IMMEDIATELY, TO AVOID THE DANGER OF SLIPS OR FALLS.



IMPORTANT

READ FIRST

IMPORTANT

WARNING: KEEP WATER AND SOLUTIONS OUT OF CONTROLS. NEVER SPRAY OR HOSE CONTROL CONSOLE, ELECTRICAL CONNECTIONS, ETC.



CAUTION: MOST CLEANERS ARE HARMFUL TO THE SKIN, EYES, MUCOUS MEMBRANES AND CLOTHING. PRECAUTIONS SHOULD BE TAKEN TO WEAR RUBBER GLOVES, GOGGLES OR FACE SHIELD AND PROTECTIVE CLOTHING. CAREFULLY READ THE WARNING AND FOLLOW THE DIRECTIONS ON THE LABEL OF THE CLEANER TO BE USED.



NOTICE: Service on this, or any other, LANG appliance must be performed by qualified personnel only. Consult your LANG authorized service agent directory or call the factory at 314-678-6315 or www.langworld.com For the service agent nearest you.



WARNING: BOTH HIGH AND LOW VOLTAGES ARE PRESENT INSIDE THIS APPLIANCE WHEN THE UNIT IS PLUGGED/WIRED INTO A LIVE RECEPTACLE. BEFORE REPLACING ANY PARTS, DISCONNECT THE UNIT FROM THE ELECTRIC POWER SUPPLY.



CAUTION: USE OF ANY REPLACEMENT PARTS OTHER THAN THOSE SUPPLIED BY LANG OR THEIR AUTHORIZED DISTRIBUTORS CAN CAUSE BODILY INJURY TO THE OPERATOR AND DAMAGE TO THE EQUIPMENT AND WILL VOID ALL WARRANTIES.



LANG MANUFACTURING COMPANY
MANUAL FOR MODEL ECO
ELECTRIC CONVECTION OVENS

ISSUE DATE FEBRUARY 1999

LANG MANUFACTURING COMPANY
10 SUNNEN DRIVE
ST. LOUIS, MO 63143

ELECTRIC GRIDDLES PER: MIL-G-2338L

<u>MIL SPEC</u>	<u>LANG MODEL NUMBER</u>	<u>STAR MODEL NUMBER</u>
TYPE I, SIZE 2*	LG-36M	136T-M
TYPE I, SIZE 3*	LG-72M	172T-M
TYPE I, SIZE 5*	LG-24M	124T-M
TYPE I, SIZE 6*	LG-48M	148T-M

TYPE II- Use the same model number as above Then add for:

STYLE 1- with Stand
STYLE 2- with Castered Stand

STYLE 3- with Bolt Down Stand

TYPE III, SIZE 2*	LGMDI36	136TDI-VG
TYPE III, SIZE 3*	LGMDI72	172TDI-VG
TYPE III, SIZE 6*	LGMDI48	148TDI-VG

* N.S.A. for "Naval Shipboard Application". All components will fit through a 26" X 66" watertight door.



MarineSeries

Item No. _____
 Project _____
 Quantity _____

Electric, Drop-In Model Griddles

Model: [136,148,172]TDIG



Model 136TDIG shown

SIZING AND PERFORMANCE GUIDE

Model/Width	Surface Area	Controls	kW Input*
<input type="checkbox"/> 136TDIG	828 sq. in.	3	18-kW
<input type="checkbox"/> 148TDIG	1104 sq. in.	4	24-kW
<input type="checkbox"/> 172TDIG	1656 sq. in.	6	18/18-kW**

* 6-kW per foot of griddle

** Power input, two power connections required

MARINE SHORT/BID SPECIFICATION

Griddle shall be a **LANG Manufacturing Marine Model 1__**
 [Specify width: 36", 48" or 72"]TDIG, with: thermostat controls for each 12" of griddle width; 6-kW per foot of Incoloy sheathed heating elements, pressure clamped to plate bottom; 3/4" thick polished cooking surface; flanged flush-mount griddle surface module and recessed control panel module for easy installation in countertop.

MARINE PRODUCT WARRANTY

One year, parts & labor (Labor in U.S. only)

MARINE CONSTRUCTION FEATURES

- 3/4" thick precision machined, polished steel cooking surface
- Full parameter stainless steel top mounting flange
- Full front 3-1/2" wide x 1" deep stainless steel grease trough
- 8 quart capacity grease drawer, with marine latch & fully enclosed, easily removable sleeve [Two on 72" model]
- Fully enclosed control compartment
- Separate, insulated stainless steel griddle and control modules

PERFORMANCE FEATURES

- Thick griddle plate reduces hot & cold spots and retains heat
- Highly polished, recessed surface and continuously welded mounting flange speeds cleanup
- Heating elements incoloy sheathed, for long life
- Elements are pressure clamped to bottom of griddle plate for more even heating
- Recessed control panel protects control knobs
- Accurate temperature control between 175 and 450°F

CONTROLS

- Independent temperature control every 12"
- Heat on pilot lights for each control



Sheet No. **LMS-P-G1** (rev. 07/07)

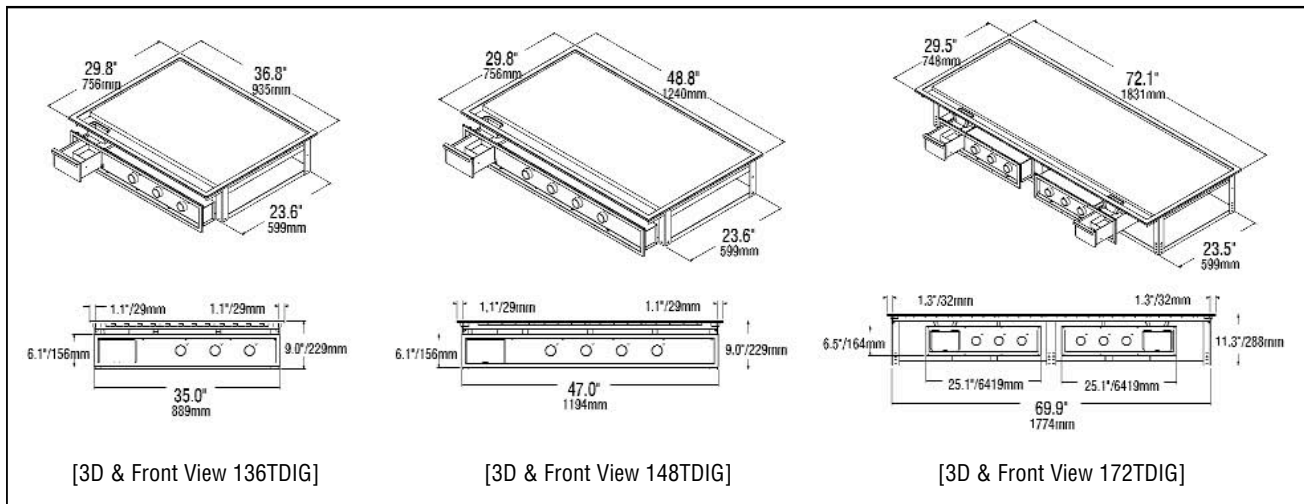


Electric, Drop-In Model Griddles

[136,148,172]TDIG

MARINE INSTALLATION REQUIREMENTS

- (E) 440V or 480V, 3-phase power connection
- (E)(E) Two electric connections required for 72" unit
- Installation in approved cabinet or galley work center. [Provided by others]
- See below for rough openings required for griddle and control panel module
- Consult marine codes for installation requirements



Model	Top-Rough Opening		Controls-Opening		Clearance from combustible surface	Weight		Freight Class
	Width	Depth	Height	Width		Actual	Shipping	
136TDIG	36.8"	29.8"	6.1"	35.0"	Sides: 2" Back: 2"	295 lbs.	345 lbs.	85
	935mm	756mm	156mm	889mm		120 kg	186 kg	
148TDIG	48.8"	29.8"	6.1"	47.0"		400 lbs.	450 lbs.	85
	1240mm	756mm	156mm	1194mm		167 kg	239 kg	
172TDIG	72.1"	29.5"	6.5"*	25.2"*		650 lb	700 lb	85
	1831mm	748mm	164mm	641mm		295 kg	318 kg	

* Two openings required in the Controls-Opening table for the 172TDIG model.

Model	Volts AC - Hz	Total kW	Amps - Three Phase	Amps - Single Phase
136TDIG	208 - 50/60	18.0	50.0	86.5
	240 - 50/60	18.0	43.3	75.0
	440 - 50/60	18.0	23.6	N/A
	480 - 50/60	18.0	21.7	N/A
148TDIG	208 - 50/60	24.0	75.0	115.2
	240 - 50/60	24.0	65.0	100.0
	440 - 50/60	24.0	36.8	N/A
	480 - 50/60	24.0	32.5	N/A
172TDIG	208 - 50/60	36.0 [18/18]**	50.0/50.0	86.5/86.5
	240 - 50/60	36.0 [18/18]**	43.3/43.3	75.0/75.0
	440 - 50/60	36.0 [18/18]**	23.6/23.6	N/A
	480 - 50/60	36.0 [18/18]**	21.7/21.7	N/A

** Two connections.

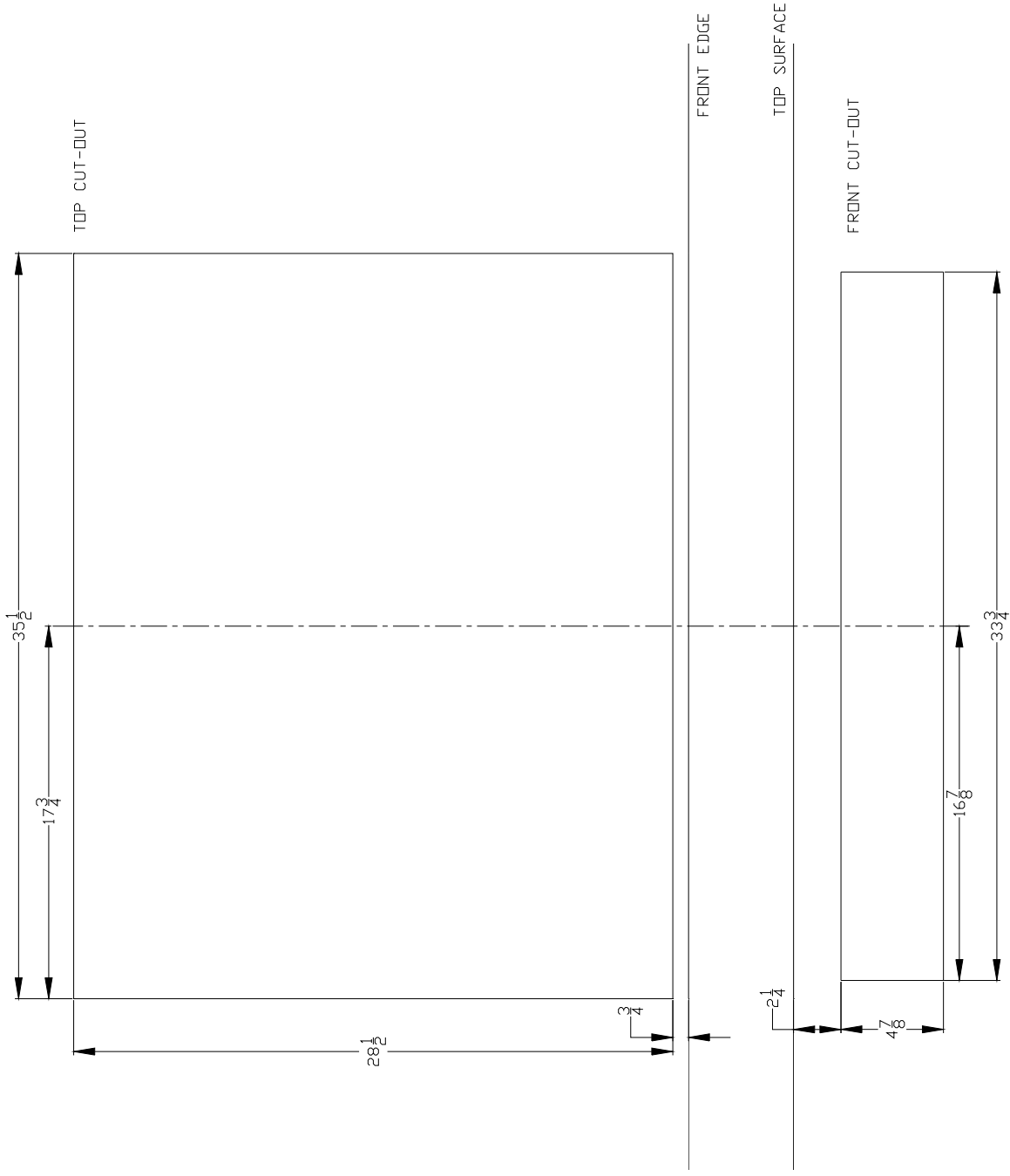
Due to continuous improvements, specifications subject to change without notice.



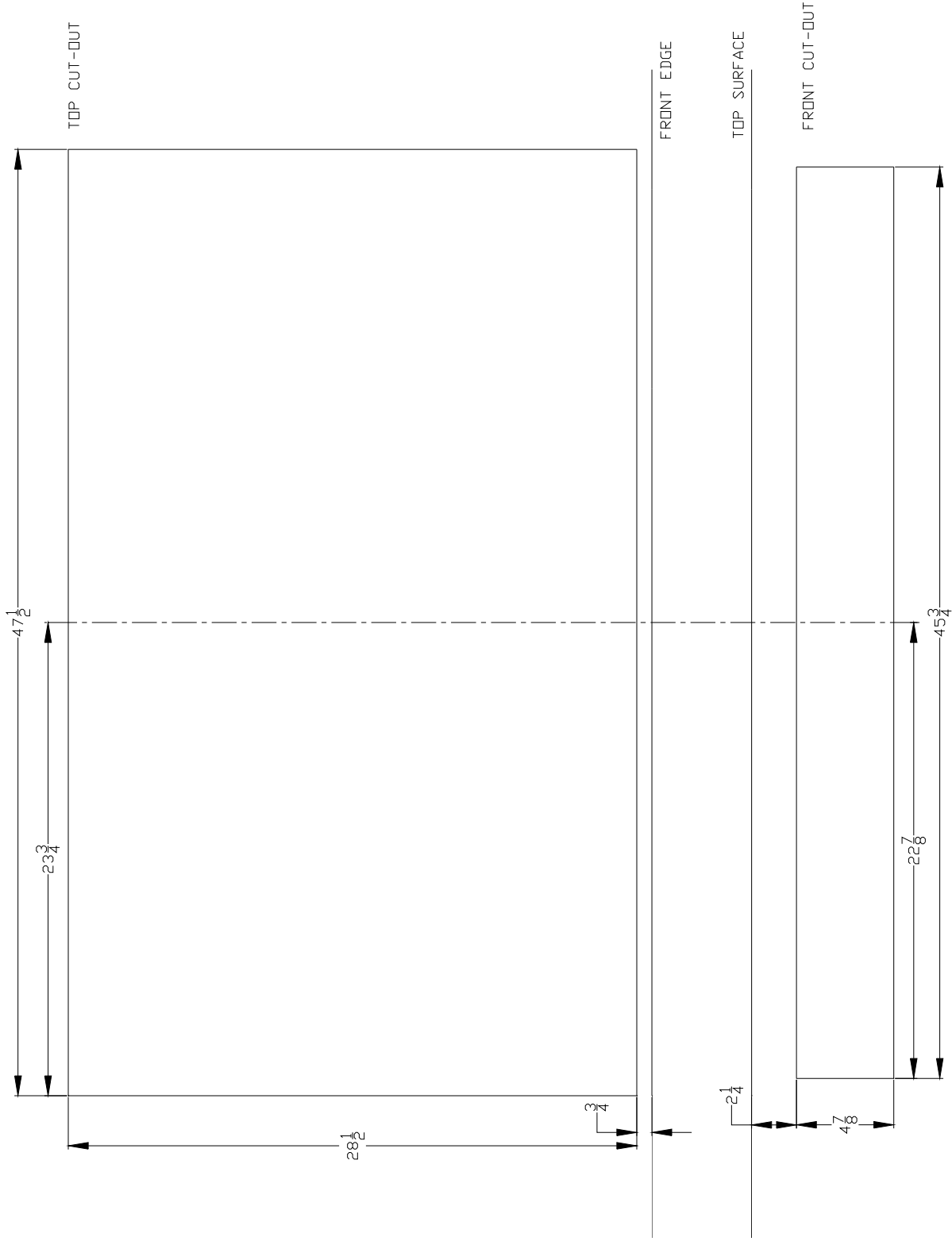
Sheet No. LMSP-G1 (rev. 07/07)

LANG MANUFACTURING - A DIVISION OF STAR MANUFACTURING INT'L, INC. • 10 SUNNEN DR. ST. LOUIS, MO 63143
TOLL FREE: 800.264-7827 • FAX: 314-781-3636 • www.langworld.com

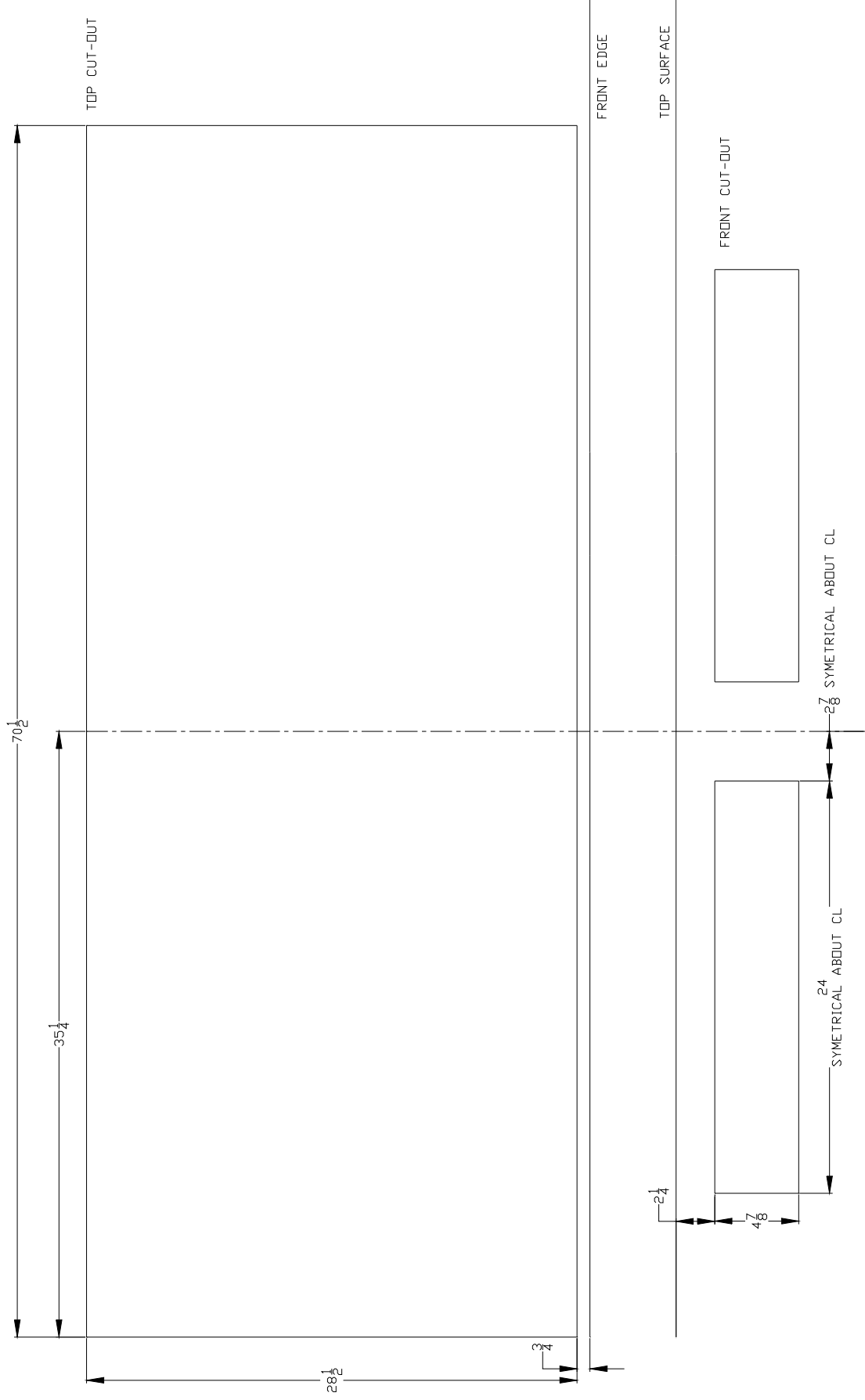
MDI-36 CUT OUT



MDI-48 CUT OUT



MDI-72 CUT OUT



EQUIPMENT DESCRIPTION

INTRODUCTION

This manual contains the necessary information to install, operate, maintain, and service the Lang self-heating electric griddles.

Replacement parts should be genuine Lang parts. Failure to use genuine Lang replacement parts may result in malfunction of the appliance or possible injury to the contractor or service technician.

PURPOSE AND FUNCTION

Electric griddles provide heated surface constantly regulated at a thermostatically set temperature. They are designed to cook a wide variety of food products including, but not limited to, eggs, hamburgers, fish, chicken and pancakes.

CAPABILITIES

These griddles are capable of cooking all types of products requiring contact with a heated surface.

ENVIRONMENTAL REQUIREMENTS

The following minimum spacing from combustible surfaces must be maintained:

Sides – 2 inches, Back – 2 inches

ITEMS FURNISHED (Listed by Type and Style)

Type I Griddle

Size 2, 5, 6

1 ea. Griddle
4 ea. Legs
2 ea. Manuals, Technical

Type I Griddle

Size 3

1 ea. Griddle
8 ea. Legs
2 ea. Manuals, Technical

Type II Griddle

Style 1

1 ea. Griddle
1 ea. Stand
1 ea. Stand Hardware
2 ea. Manuals, Technical

Type II Griddle

Style 2

1 ea. Griddle
1 ea. Stand
1 ea. Stand Hardware
2 ea. Swivel Casters
2 ea. Rigid Casters
2 ea. Manuals, Technical

EQUIPMENT DESCRIPTION CONT'D

Type II Griddle

Style 3

- 1 ea. Griddle
- 1 ea. Bolt Down Stand
- 1 ea. Stand Hardware
- 2 ea. Manuals, Technical

Type III Griddle

Size 1 & 6

- 1 ea. Griddle
- 1 ea. Griddle Control Panel
- 2 ea. Manuals, Technical

Type III Griddle

Size 3

- 1 ea. Griddle
- 2 ea. Griddle Control Panel
- 2 ea. Manuals, Technical

ITEMS REQUIRED

An adequate supply of wire suitable for the loads and application specified on the data sheet must be provided. The data sheet is on Page 4 of this manual.

TOOLS AND TEST EQUIPMENT REQUIRED

For Installation:

- 1 set – Open End Wrenches
- 1 ea. – Flat Blade Screwdriver
- 1 ea. – Phillips Screwdriver
- 1 ea. – Wire Cutter/Stripper
- 1 ea. – AMP Probe
- 1 ea. – Voltmeter

For Service: All of the above plus –

- 1 ea. – Needle Nose Pliers
- 1 ea. – Crimping Pliers
- 1 ea. – Allen Wrench Set
- 1 ea. – Temperature Meter
- 1 ea. – Very Small Flat Blade Screwdriver

CONTROLS

A mechanical snap action thermostat (100°F-450°F) controls each 12” section of the griddle.

A red indicator lamp indicates that the griddle is heating.

INSTALLATION

CAUTION: THE GRIDDLE IS EXTREMELY HEAVY. FOR SAFE HANDLING, INSTALLER SHOULD OBTAIN HELP AS NEEDED, OR EMPLOY APPROPRIATE MATERIALS HANDLING EQUIPMENT (SUCH AS A FORKLIFT, DOLLY, OR PALLET JACK) TO REMOVE THE UNIT FROM THE SKID AND MOVE IT TO THE PLACE OF INSTALLATION.



CAUTION: ANY STAND, COUNTER OR OTHER DEVICE ON WHICH GRIDDLE WILL BE LOCATED MUST BE DESIGNED TO SUPPORT THE WEIGHT OF THE OVEN(S).



CAUTION: SHIPPING STRAPS ARE UNDER TENSION AND CAN SNAP BACK WHEN CUT.



DANGER: THIS APPLIANCE MUST BE GROUNDED AT THE TERMINAL PROVIDED. FAILURE TO GROUND THE APPLIANCE COULD RESULT IN ELECTROCUTION AND DEATH.



WARNING: INSTALLATION OF THE UNIT MUST BE DONE BY PERSONNEL QUALIFIED TO WORK WITH ELECTRICITY. IMPROPER INSTALLATION CAN CAUSE INJURY TO PERSONNEL AND/OR DAMAGE TO EQUIPMENT. UNIT MUST BE INSTALLED IN ACCORDANCE WITH ALL APPLICABLE CODES.



NOTICE: The data plate is located next to the grease drawer, behind access panel. The griddle voltage, wattage, serial number, wire size, and clearance specifications are on the data plate. This information should be carefully read and understood before proceeding with the installation.



NOTICE: The installation of any components such as a vent hood, grease extractors, fire extinguisher systems, must conform to their applicable National, State and locally recognized installation standards.



INSPECTION AND INSTALLATION

INSPECTION AND INSTALLATION

Upon receipt, check for freight damage, both visible and concealed. Visible damage should be noted on the freight bill at the time of delivery and signed by the carrier's agent. Concealed loss or damage means loss or damage which does not become apparent until the merchandise has been unpacked. If concealed loss or damage is discovered upon unpacking, make a written request for inspection by the carrier's agent within 15 days of delivery. All packing material should be kept for inspection. Do not return damaged merchandise to Lang Manufacturing Company. File your claim with the carrier.

LOCATION

Move the crate(s) containing the oven(s) as close to the place of installation as possible before removing the protective crating. Uncrate the oven(s) and move them as close as practical to the final installation site.

INSTALLATION CONT'D

TYPE I

Screw legs into the 3/8-16 weld nuts provided on the underside of the griddle.

Place the griddle into its intended location.

A 1 1/4-inch conduit knockout through the back and the bottom of the griddle body is located at the rear of the griddle. A 3-pole terminal block is provided for service connections and can be accessed through a removable panel on the back of the griddle.

Use a supply wire suitable for at least 90 degree centigrade.

Sizes 2, 5, and 6 have one electrical connection and size 3 has two electrical connections.

TYPE II

Construct stand and place into its intended location.

For bolt down legs see illustration below for dimensions.

Carefully place griddle onto its stand.

Electric connection can be made at the rear of the griddle.

Sizes 2, 5, and 6 have one electrical connection and size 3 has two electrical connections.

TYPE III

Carefully cut the countertop and the control panel cutouts to the clearance dimensions shown on the cutout illustrations.

The griddle will have a control box and a griddle portion. Disconnect as necessary.

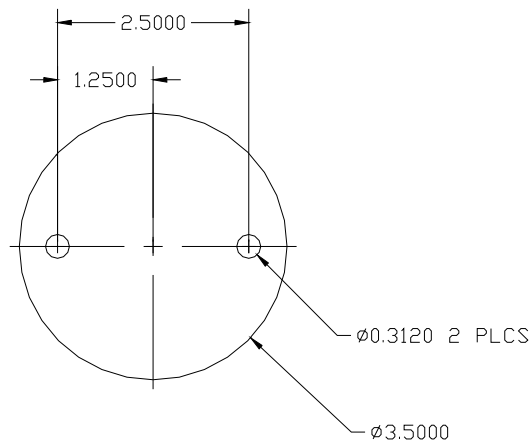
Block the griddle over the hole in the top of the counter and put the gasket in place under the flange that will support the griddle.

Position the control boxes close to their installed position. Attach the thermostat capillary tubes to the griddle.

Drop the griddle into place and twist the hold-downs around the edge of the griddle that is now below the counter to lock the griddle in place.

A separate box with a terminal block is provided for power connections.

The griddle may now be connected to power



OPERATION

- NOTICE:** During the first few hours of operation you may notice a small amount of smoke coming off the griddle surface, and a faint odor from the smoke. This is normal for a new griddle and will disappear after the first few hours of use.
- CAUTION:** ALWAYS KEEP THE AREA NEAR THE APPLIANCE FREE FROM COMBUSTIBLE MATERIALS.
- CAUTION:** KEEP FLOOR IN FRONT OF EQUIPMENT CLEAN AND DRY. IF SPILLS OCCUR, CLEAN IMMEDIATELY, TO AVOID THE DANGER OF SLIPS OR FALLS.



OPERATING INSTRUCTIONS

An understanding of how the griddle sections are controlled will be a valuable aid in loading your griddle.

Each 12-inch section of your griddle is independently controlled by a temperature controller. The temperature control sensor is mounted in the center of each cooking section under the griddle plate.

If the product is loaded directly over the temperature sensor, that section will turn on and the burner will heat the entire cooking section. If the product is loaded to the side, front or back of the temperature sensor, the thermostat will react to the temperature change much slower.

During slow periods with minimal loads, do not load directly over the thermostat sensors as this will unnecessarily turn the burners on and overheat the remainder of the section not being utilized.

Turn the product and continue cooking until it has reached its desired degree of doneness.

Remove the product from the griddle.

When reloading the griddle, first use the griddle surface on which a previous load was not placed. This will help insure the proper griddle temperature.

INITIAL START-UP

Prior to putting any griddle into full time operation at normal cooking temperatures, it must be thoroughly "seasoned" and dried out. Moisture absorption in the closed spaces, in the insulation and even inside the heating elements can cause future trouble if not properly treated.

Before seasoning the griddle it is first necessary to remove the shipping preservative from the griddle surface. To do this, add a mild detergent to hot water and wash the griddle plate. Rinse with a damp sponge and dry with a clean rag.

To "season" the griddle, set the thermostat dial to 300°. Allow unit to come up to temperature and cycle off. Apply a thin coat of high-grade, non-salted vegetable oil to the griddle surface. Rub the oil into the griddle surface with the flat side of a spatula or a towel. Re-coat any dry spots that appear then wait 30 minutes and wipe off any excess oil. Repeat these steps at 350°, 400°, and 450°.

To "dry out" the Griddle, set the thermostat to 250° and turn on the power switch. Allow the unit to cycle at least 15 minutes at this heat level. Reset the thermostat to 350° allowing the same time. Reset the thermostat to 450° and allow the unit to maintain the temperature for a minimum of 4 hours. More time may be required if the unit will be operating in a moist or humid environment.

If the unit is out of use for three or more days, a one-hour preheat schedule should be used, especially when exposed to high humidity and/or cool temperatures.

OPERATION CONT'D

NORMAL OPERATION

Each 12-inch section of your griddle is independently controlled by a temperature controller. The temperature control sensor is mounted in the center of each cooking section under the griddle plate.

Turn the griddle thermostat to the desired temperature and allow 30 minutes to preheat.

Once griddle has been preheated place product on the griddle and allow to cook.

MAINTENANCE AND CLEANING

WARNING: KEEP WATER AND SOLUTIONS OUT OF CONTROLS. NEVER SPRAY OR HOSE CONTROL CONSOLE, ELECTRICAL CONNECTIONS, ETC.



CAUTION: MOST CLEANERS ARE HARMFUL TO THE SKIN, EYES, MUCOUS MEMBRANES AND CLOTHING. PRECAUTIONS SHOULD BE TAKEN TO WEAR RUBBER GLOVES, GOGGLES OR FACE SHIELD AND PROTECTIVE CLOTHING. CAREFULLY READ THE WARNING AND FOLLOW THE DIRECTIONS ON THE LABEL OF THE CLEANER TO BE USED.



NOTICE: Service on this, or any other, LANG appliance must be performed by qualified personnel only. Consult your LANG authorized service agent directory or call the factory at 314-678-6315, or www.langworld.com For the service agent nearest you.



WARNING: BOTH HIGH AND LOW VOLTAGES ARE PRESENT INSIDE THIS APPLIANCE WHEN THE UNIT IS PLUGGED/WIRED INTO A LIVE RECEPTACLE. BEFORE REPLACING ANY PARTS, DISCONNECT THE UNIT FROM THE ELECTRIC POWER SUPPLY.



CAUTION: USE OF ANY REPLACEMENT PARTS OTHER THAN THOSE SUPPLIED BY LANG OR THEIR AUTHORIZED DISTRIBUTORS CAN CAUSE BODILY INJURY TO THE OPERATOR AND DAMAGE TO THE EQUIPMENT AND WILL VOID ALL WARRANTIES.



DAILY CLEANING

Empty the grease drawer or whenever it is 3/4 full by pulling straight out toward the front. It is easily removed for washing.

Clean the exterior of the appliance with Lang Mfg. Prima Shine (72804-41) cleaner to maintain a gleaming appearance.

Keep the griddle surface clean. After each cooking load, scrape the griddle surface to remove any carbonized grease

WEEKLY CLEANING

Once a week (or when necessary) the griddle surface should be cleaned and re-seasoned. Use Lang Mfg Carbon Release (72804-32). Rub with the grain of the metal, being careful not to scrape the splashguard.

Be sure to rinse thoroughly and re-season to prevent rusting and corrosion.

MAINTENANCE AND CLEANING CONT'D

CALIBRATION CHECK

Set the griddle temperature to 350°F on all sections (it should take approximately 22 minutes to reach temperature).

Let the griddle reach 350°F and cycle off and on at least three times.

Measure 6" from the left, and 11 1/2" from the front of the plate for the first checkpoint. This will check the center of the sensor for the first cooking section.

Each checkpoint is located every 12" to the right from the last point, and always 11 1/2" from the front. (See illustration below.)

CALIBRATION

A 1/16" flat blade screwdriver with a 2" shaft is required to make adjustments on the thermostat.

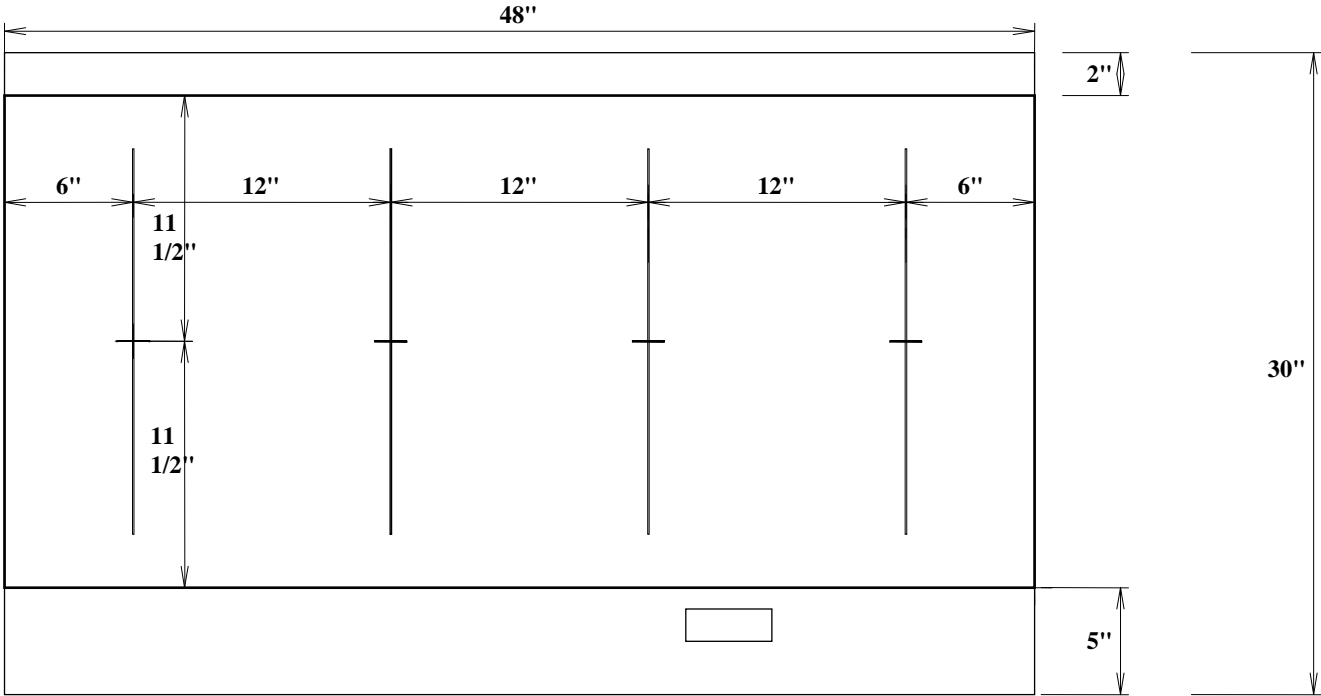
Maintain the oven temperature at 350°.

Without turning the thermostat, remove the knob.

Locate the adjustment screw at the base of the shaft and insert the screwdriver.

Grasp the shaft and turn the screwdriver counter clockwise to increase temperature and clockwise to decrease temperature (1/8 of a turn will move the temperature 5-7 ° in either direction).

Reinstall the oven knob and recheck the oven temperature.



MAINTENANCE AND CLEANING CONT'D

ELEMENT REMOVAL

Disconnect power from griddle.

Prop griddle plate up.

Disconnect power wire attached to heating element terminals. Mark or identify each wire to ensure correct replacement on new heating element. Inspect for frayed ends, broken strands and grease soaked insulation. Replace as necessary.

Remove the two sheet metal screws securing the thermostat capillary tube clip to the element pan. Pull the clip and the tube down and out of the center slot of the element pan. Take care not to break the capillary tube, as it may be brittle from prolonged exposure to high temperature.

Remove the nuts and washers retaining the element pan and pressure plate.

Drop the element pan straight down until studs are cleared and pull forward out of griddle body. The elements will normally drop down with the element pan and are now accessible for replacement as necessary.

Compare voltage and wattage marking of old element with new one to ensure proper replacement.

Reverse the removal procedure to install the new element. Be sure the nuts holding the element pan are snug as this will assure proper contact between the element and griddle plate. The capillary tube bulb must also be tightly clamped against the griddle plate to obtain proper temperature control.

THERMOSTAT REPLACEMENT

Disconnect power from griddle.

Prop griddle plate up.

Loosen the two sheet metal screws securing the thermostat capillary tube clip to the element pan. Gently pull the thermostat capillary tube from the clip.

Remove the two sheet metal screws from the rear of the control panel box and pull off the box cover.

Remove thermostat control knob. Loosen and remove the two screws securing the thermostat body to the front panel. Remove wires from thermostat terminals. Mark for proper replacement.

Reverse this procedure for replacement.

PILOT INDICATOR REPLACEMENT

Disconnect power from griddle.

Prop griddle plate up.

Remove the two sheet metal screws from the rear of the control panel box and pull off the box cover.

Remove the wires from the pilot indicator.

The pilot light is held firmly in place by means of a spring metal speed nut on the back. Remove the pilot indicator by removing the speed nut and pulling it out through the front. It may be necessary to break the pilot light in two to remove the speed nut.

Install the new pilot light and hold in place with speed nut.

Reverse the procedure to reinstall.

TROUBLE SHOOTING

SYMPTOM	PROBLEM	REMEDY
Whole griddle will not heat	Circuit breaker turned off Griddle not turned on Improper connection Improperly Phased	Turn on Turn on Connect per wiring diagram Phase per wiring diagram
One section will not heat.	Defective elements Defective thermostat	Replace elements Replace thermostat
Griddle is burning product	Griddle is out of calibration	Calibrate
Griddle is undercooking product	Griddle is out of calibration	Calibrate
Indicator light will not come on	Defective Indicator light	Replace Indicator light

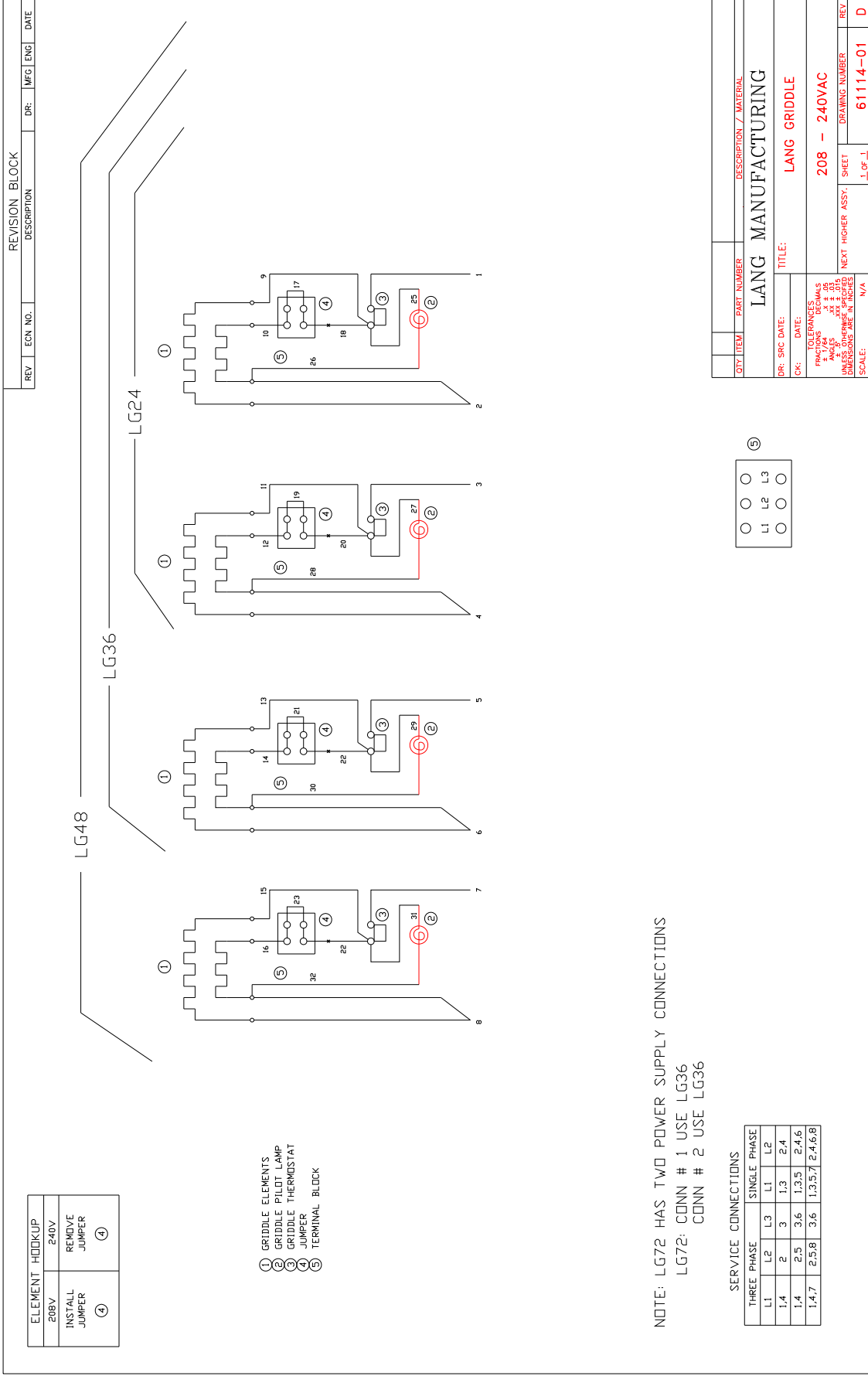
TECHNICAL DATA

Part#	Description	Volts	Watts	Amps
2N-11030-29	I/S Element	208/240	4500/5991	22/26
2N-11030-30	O/S Element	208	1491	8
2N-11030-31	Element	480	5991	12.5
2N-11030-04	Element	380	5991	16

GRIDDLE LINE AMPERAGE, AND WATTAGE

Type: I, II, III	TOTAL K.W.	NOMINAL AMPS PER LINE									SINGLE PHASE		
		THREE PHASE									208V	240V	
		208 Volt			240 Volt			480 Volt					
		L1	L2	L3	L1	L2	L3	L1	L2	L3			
24"	12.0	50.0	28.8	28.8	43.3	25.0	25.0	21.7	12.5	12.5	57.7	50.0	
36"	18.0	50.0	50.0	50.0	43.3	43.3	43.3	21.7	21.7	21.7	86.5	75.0	
48"	24.0	75.0	75.0	50.0	65.0	65.0	43.3	32.5	32.5	21.7	115.4	100.0	
72"	#1	18.0	50.0	50.0	50.0	43.3	43.3	43.3	21.7	21.7	21.7	86.5	75.0
	#2	18.0	50.0	50.0	50.0	43.3	43.3	43.3	21.7	21.7	21.7	86.5	75.0

208/240 WIRING DIAGRAM



PARTS LIST

April 18, 2007, Rev. –

Model: 136TDI-440VG, Thermostatic Drop-In Griddle

Part No.	Description	Vendor	Vendor #	QTY	Applications
2E-30500-02	TRM STRP 4 POLE 30A 600V	Cooper-Bussman	TB30004-00		
2E-30500-03	TRM STRP 6 POLE 30A 300V	Cooper-Bussman	TB30006		
2E-30500-05	TRM STRP 8 POLE 30A 300V	Cooper-Bussman	TB30008		
2E-30500-07	TRM BLOCK 3PLELRGE 125AMP	All-West Fasteners	162-04-3L	1	136TDI-440VG
2J-31601-02	PILOT LT 480V 6LEAD BLK	Solico	1854-1-20-20310	3	136TDI-440VG
2N-11030-31	ELMNT GRID 480V 5991W	Caloritech Inc.	IXI-11030-31	3	136TDI-480VG
2N-11030-48	ELE GRD 440V 5991W XL/LG	Caloritech Inc.	IXI-11030-48	3	136TDI-440VG
2P-50100-05	GROOVED GRIDDLE CLEANING	Chef Aid MFG	50100-05		
2P-50100-051	GROOVED GRIDDLE BRUSH REPL	Chef Aid MFG	50100-051		
2P-50100-052	GROOVED GRIDDLE BRUSH REPL	Chef Aid MFG	50100-052		
2T-30402-08	STAT ADJ 450o 72 C/T	Invensys	SP-173-72	3	136TDI-440VG
K9-50302-05	ELEMENT PAN ASSY XL/LG	Star Mfg Int.	50302-05		
K9-MDI-105-3	GRIDDLE PLATE ASSY 3'	Star Mfg Int.	MDI-105-3	1	136TDI-440VG
K9-MDI-212-2	GREASE BUCKET ASSY 2'	Star Mfg Int.	MDI-212-2	1	136TDI-440VG
Y9-70701-16	KNOB ASSY 450o A, Black	Star Mfg. Int.	70701-16	3	136TDI-440VG

Model: 148TDI-440VG, Thermostatic Drop-In Griddle

Part No.	Description	Vendor	Vendor #	QTY	Applications
2E-30500-02	TRM STRP 4 POLE 30A 600V	Cooper-Bussman	TB30004-00		
2E-30500-03	TRM STRP 6 POLE 30A 300V	Cooper-Bussman	TB30006		
2E-30500-05	TRM STRP 8 POLE 30A 300V	Cooper-Bussman	TB30008		
2E-30500-07	TRM BLOCK 3PLELRGE 125AMP	All-West Fasteners	162-04-3L	1	148TDI-440VG
2J-31601-02	PILOT LT 480V 6LEAD BLK	Solico	1854-1-20-20310	4	148TDI-440VG
2N-11030-31	ELMNT GRID 480V 5991W	Caloritech Inc.	IXI-11030-31	4	148TDI-480VG
2N-11030-48	ELE GRD 440V 5991W XL/LG	Caloritech Inc.	IXI-11030-48	4	148TDI-440VG
2P-50100-05	GROOVED GRIDDLE CLEANING	Chef Aid MFG	50100-05		
2P-50100-051	GROOVED GRIDDLE BRUSH REPL	Chef Aid MFG	50100-051		
2P-50100-052	GROOVED GRIDDLE BRUSH REPL	Chef Aid MFG	50100-052		
2T-30402-08	STAT ADJ 450o 72 C/T	Invensys	SP-173-72	4	148TDI-440VG
K9-MDI-105-4	GRIDDLE PLATE ASSY 4'	Star Mfg Int.	MDI-105-4	1	148TDI-440VG
Y9-70701-16	KNOB ASSY 450o A, Black	Star Mfg. Int.	70701-16	4	148TDI-440VG

PARTS LIST

June 1, 2011, Rev. –

Model: 172TDI-240VG, -440VG, -480VG Thermostatic Drop-In Griddle

Part No.	Description	Vendor	Vendor #	QTY	Applications
2E-30500-07	TRM BLOCK 3PLELRGE 125AMP	All-West Fasteners	162-04-3L	2	172TDI-440VG, 480VG
2J-31601-02	PILOT LT 480V 6LEAD BLK	Solico	1854-1-20-20310	6	172TDI-440VG, 480VG
2J-31601-01	PILOT LT 250V 6LEAD BLK	Solico	2152-1-23-20110	6	172TDI-240VG
2N-11030-31	ELMNT GRID 480V 5991W	CCI Thermal Tech	IXI-11030-31	6	172TDI-480VG
2N-11030-48	ELE GRD 440V 5991W XL/LG	CCI Thermal Tech	IXI-11030-48	6	172TDI-440VG, 480VG
2N-11030-12	ELE GRD SPECL 240V5991W	CCI Thermal Tech	IXI-L11030-12	6	172TDI-240VG
2P-50100-05	GROOVED GRIDDLE CLEANING	Chef Aid MFG	50100-05		
2P-50100-051	GROOVED GRIDDLE BRUSH REPL	Chef Aid MFG	50100-051		
2P-50100-052	GROOVED GRIDDLE BRUSH REPL	Chef Aid MFG	50100-052		
2T-30402-08	STAT ADJ 450o 72 C/T	Invensys	SP-173-72	6	172TDI-240VG, 440VG, 480VG
K9-MDI-105-6	GRIDDLE PLATE ASSY 6'	Lang Mfg	MDI-105-6	1	172TDI-240VG, 440VG, 480VG
K9-MDI-212-6	GREASE BUCKET ASSY MDI-72	Lang Mfg	MDI-212-6	2	172TDI-240VG, 440VG, 480VG
Y9-70701-16	KNOB ASSY 450°F A, Black	Lang Mfg.	70701-16	6	172TDI-240VG, 440VG, 480VG

***Lang Manufacturing Limited Warranty
to Commercial Purchasers*
(Domestic U.S., Hawaii, &
Canadian Sales only.)***

Lang Manufacturing Equipment (“Lang Equipment”) has been skillfully manufactured, carefully inspected and packaged to meet rigid standards of excellence. Lang warrants its Equipment to be free from defects in material and workmanship for (12) twelve consecutive months, with the following conditions and subject to the following limitations.

I. This parts and labor warranty is limited to Lang Equipment sold to the original commercial purchaser/users (but not original equipment manufacturers), at its original place of installation, in the continental United States, Hawaii and Canada.

Quartz elements are warranted for ninety(90) days from the date of installation.

II. Damage during shipment is to be reported to the carrier, is not covered under this warranty, and is the sole responsibility of purchaser/user.

III. Lang, or an authorized service representative, will repair or replace, at Lang’s sole election, and Lang Equipment, including but not limited to, safety valves, gas and electric components, found to be defective during the warranty period. As to warranty service in the territory described above, Lang will absorb labor and portal to portal transportation costs (time & mileage) for the first (12) twelve months from the date of installation or eighteen (18) months from date of shipment from Lang Manufacturing, which ever comes first.

IV. This warranty does not cover routine general maintenance, periodic adjustments, as specified in operating instructions or manuals, and consumable parts such as quartz elements, or labor costs incurred for removal of adjacent equipment or objects to gain access to Lang Equipment. This warranty does not cover defects caused by improper installation, abuse, careless operation, or improper maintenance of equipment.

V. THIS WARRANTY IS EXCLUSIVE AND IS IN LIEU OF ALL OTHER WARRANTIES, EXPRESSED OR IMPLIED, INCLUDING ANY IMPLIED WARRANTY OF MERCHANTABILITY OR FITNESS FOR A PARTICULAR PURPOSE, EACH OF WHICH IS HEREBY EXPRESSLY DISCLAIMED. THE REMEDIES DESCRIBED ABOVE ARE EXCLUSIVE AND IN NO EVENT SHALL LANG BE LIABLE FOR SPECIAL, CONSEQUENTIAL OR INCIDENTAL DAMAGES FOR THE BREACH OR DELAY IN PERFORMANCE OF THIS WARRANTY.

VI. Lang Equipment is for commercial use only. If sold as a component of another(OEM) manufacturer’s equipment, or if used as a consumer product, such Equipment is sold AS IS and without any warranty.

